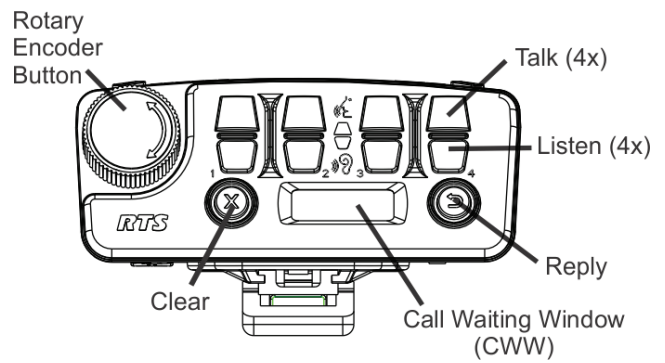
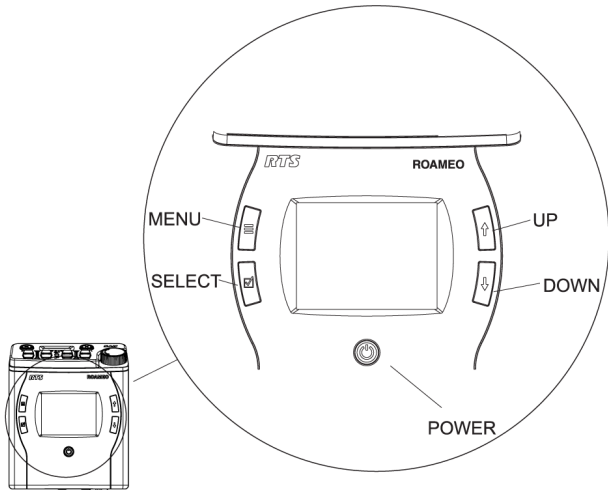


TR-1800 ROAMEO Beltpack Quick Start Card

Common Functions

- Power** When the beltpack is off, press the power button momentarily to turn the unit on. When the beltpack is on, press the power button for two (2) seconds to turn the unit off.
- Menu** Press the MENU button once, the LCD backlight activates. Once the LCD backlight is active, press the MENU button again to display various menus. Press the MENU button from any menu to exit the menu structure and return to the home screen.
- SELECT** While in a specific screen, tap the SELECT button to adjust the settings or confirm the selection. After adjusting the settings, tap the SELECT button to confirm and lock the modification.
- Up** From the Home screen, press the UP button to go to the next page. From the Menu screen, press the UP button once to navigate the menu structure. Press and hold the UP button to continuous scroll upward through the menu items.
- Down** From the Home screen, tap the DOWN button to go to the last page viewed. From the Menu screen, tap the DOWN button to navigate the menu structure. Press and hold the DOWN button to continuous scroll downward through the menu items.
- Reply (CWW)** Press and hold the REPLY button to turn the call waiting reply switch on; release the REPLY button to turn the switch off (momentary).
- Clear (CWW)** Tap the CLEAR button to release the current call in the call waiting window.



- Talk (1-4)** Tap the TALK button momentarily to toggle the talk function on or off (latching mode). Press and hold the TALK button to turn the talk function on; release the button to turn the talk function off.
- Listen (1-4)** Tap the LISTEN button momentarily to toggle the listen function on or off (latching mode). Press and hold the LISTEN button to turn the listen function on; release the button to turn the listen function off. Press and hold the LISTEN button, turn/adjust the rotary encoder to adjust individual channel volume.
- Rotary Encoder** Turn the rotary encoder clockwise to increase the headset volume. Turn the rotary encoder counterclockwise to decrease the headset volume.

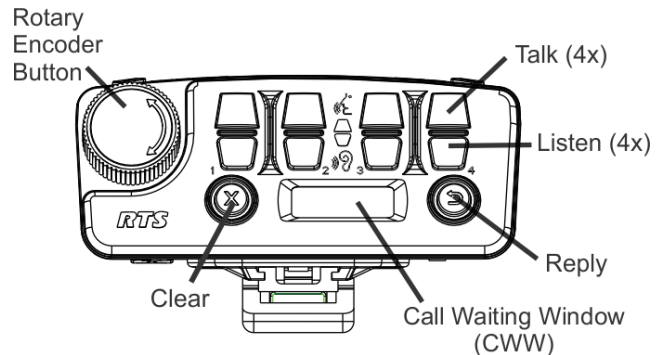
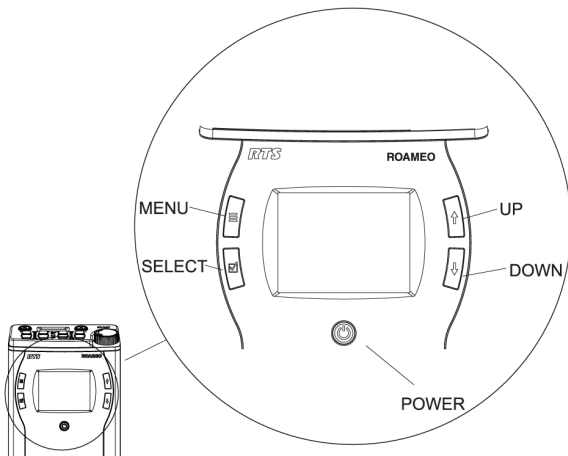
Special Functions

- Dark Mode** When in normal mode, press and hold MENU, then double-tap the rotary encoder button to enter dark mode. Dark Mode is displayed in the CWW. When in dark mode, press and hold MENU, then double-tap the rotary encoder button to exit dark mode.
- Full Factory Reset** Simultaneously press and hold MENU+SELECT+UP+DOWN. The reset to factory defaults arrow appears after three seconds. Continue to hold the buttons until the arrow clears, and then release the buttons to reset the beltpack to factory settings. The subscription record is also cleared on the next reboot.
- Configuration Reset** Press and hold MENU, and then power on the device. Note, this sets the unit to factory defaults, but does not clear the beltpack's subscription record to the access point.
- Toggle Lockout** Press and hold UP+DOWN for 3 seconds. A padlock icon appears on the home screen when the unit is in lockout. The setup options cannot be changed when lockout is activated; the volume, talk/listen, power, and clear/reply buttons are not affected.

TR-1800 ROAMEO Beltpack Quick Start Card

Common Functions

- Power** When the beltpack is off, press the power button momentarily to turn the unit on. When the beltpack is on, press the power button for two (2) seconds to turn the unit off.
- Menu** Press the MENU button once, the LCD backlight activates. Once the LCD backlight is active, press the MENU button again to display various menus. Press the MENU button from any menu to exit the menu structure and return to the home screen.
- SELECT** While in a specific screen, tap the SELECT button to adjust the settings or confirm the selection. After adjusting the settings, tap the SELECT button to confirm and lock the modification.
- Up** From the Home screen, press the UP button to go to the next page. From the Menu screen, press the UP button once to navigate the menu structure. Press and hold the UP button to continuous scroll upward through the menu items.
- Down** From the Home screen, tap the DOWN button to go to the last page viewed. From the Menu screen, tap the DOWN button to navigate the menu structure. Press and hold the DOWN button to continuous scroll downward through the menu items.
- Reply (CWW)** Press and hold the REPLY button to turn the call waiting reply switch on; release the REPLY button to turn the switch off (momentary).
- Clear (CWW)** Tap the CLEAR button to release the current call in the call waiting window.



- Talk (1-4)** Tap the TALK button momentarily to toggle the talk function on or off (latching mode). Press and hold the TALK button to turn the talk function on; release the button to turn the talk function off.
- Listen (1-4)** Tap the LISTEN button momentarily to toggle the listen function on or off (latching mode). Press and hold the LISTEN button to turn the listen function on; release the button to turn the listen function off. Press and hold the LISTEN button, turn/adjust the rotary encoder to adjust individual channel volume.
- Rotary Encoder** Turn the rotary encoder clockwise to increase the headset volume. Turn the rotary encoder counterclockwise to decrease the headset volume.

Special Functions

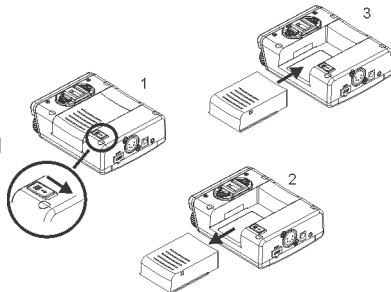
- Dark Mode** When in normal mode, press and hold MENU, then double-tap the rotary encoder button to enter dark mode. Dark Mode is displayed in the CWW. When in dark mode, press and hold MENU, then double-tap the rotary encoder button to exit dark mode.
- Full Factory Reset** Simultaneously press and hold MENU+SELECT+UP+DOWN. The reset to factory defaults arrow appears after three seconds. Continue to hold the buttons until the arrow clears, and then release the buttons to reset the beltpack to factory settings. The subscription record is also cleared on the next reboot.
- Configuration Reset** Press and hold MENU, and then power on the device. Note, this sets the unit to factory defaults, but does not clear the beltpack's subscription record to the access point.
- Toggle Lockout** Press and hold UP+DOWN for 3 seconds. A padlock icon appears on the home screen when the unit is in lockout. The setup options cannot be changed when lockout is activated; the volume, talk/listen, power, and clear/reply buttons are not affected.

TR-1800 ROAMEO Beltpack Quick Start Card

Battery Installation

To install the battery in the beltpack, do the following:

1. Align the **battery with the battery slot** on the beltpack.
2. Carefully slide the **battery into the slot** until it clicks in place (3).



Battery Removal

To remove the battery from the beltpack, do the following:

1. Verify the **beltpack is powered off**.
2. Slide the **battery release button** down to release the battery pack (1).
3. Slide the **battery pack** out of the the beltpack (2).

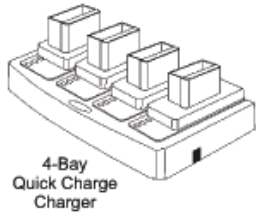
Charge the Beltpack Battery

Charging the battery in the 4-bay quick charger only requires approximately 2.5 hours to completely charge a fully discharged battery. Once charging is complete, batteries may be left on the charger indefinitely.

To **quick charge the batteries**, do the following:

1. Ensure the **TR-1800 is powered off** and remove the battery.
2. Plug the **4-bay battery charger** into a standard AC wall outlet.
3. Insert the **battery** into one of the battery slots on the charger. *The LED next to the battery slot indicates the charge status.*

Solid Yellow = Charging in progress
Flashing Yellow = Fault detected
Solid Green = Charging is complete



Charge the Battery in the Beltpack

You can also charge the battery while the battery is still installed in the beltpack. It takes approximately eight (8) hours to fully charge a completely discharged battery while the battery is installed.

NOTE: The channel 4 talk button lights red while charging and then lights green when the belt pack is fully charged.

To **charge the battery in the beltpack**, do the following:

1. **Power off** the beltpack.
2. On the bottom of the beltpack, attach the **power cable to the charge connector**.
3. Plug the wall charger of the **power cable into a standard AC wall outlet**.

NOTE: Operation of the beltpack while charging the battery is not supported.

Initial Beltpack Setup and Connection to the Access Point

IMPORTANT: *An access point must be configured using IPedit before a beltpack can subscribe with the system.*

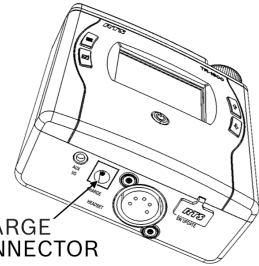
1. Charge the battery (Initial Charging).
2. Install the battery into the beltpack.
3. Move to a line-of-sight location within 40 feet (12 meters) of an access point of the system.
4. Power on the beltpack.
5. Press the SELECT button when the subscription setup window appears.

NOTE: The subscription setup screen only appears for new beltpacks or when a beltpack has been reset to factory defaults.

6. Enter the three digit system ID (The default System ID is B2B)
7. Enter the PIN (Personal Identification Number).

The PIN default is all zeros. The beltpack is subscribed to its HOME access point and the system when the home screen reappears after the subscription process.

NOTE: When running more than one system in an area, the person setting up the access points assigns different system IDs for each system. This prevents unauthorized beltpacks from one system subscribing to another system.



For the most current user documentation, firmware, and software, visit www.rtsintercoms.com

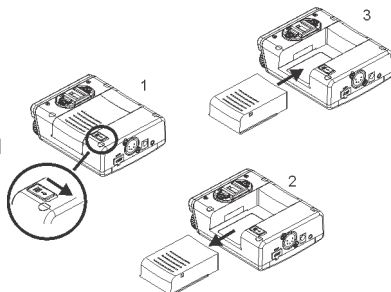
Bosch Communications, Inc. • F.01U.332.312 • Rev 02 • JANUARY 2017

TR-1800 ROAMEO Beltpack Quick Start Card

Battery Installation

To install the battery in the beltpack, do the following:

1. Align the **battery with the battery slot** on the beltpack.
2. Carefully slide the **battery into the slot** until it clicks in place (3).



Battery Removal

To remove the battery from the beltpack, do the following:

1. Verify the **beltpack is powered off**.
2. Slide the **battery release button** down to release the battery pack (1).
3. Slide the **battery pack** out of the the beltpack (2).

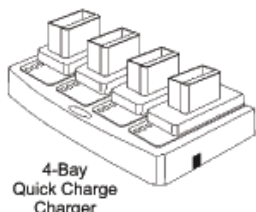
Charge the Beltpack Battery

Charging the battery in the 4-bay quick charger only requires approximately 2.5 hours to completely charge a fully discharged battery. Once charging is complete, batteries may be left on the charger indefinitely.

To **quick charge the batteries**, do the following:

1. Ensure the **TR-1800 is powered off** and remove the battery.
2. Plug the **4-bay battery charger** into a standard AC wall outlet.
3. Insert the **battery** into one of the battery slots on the charger. *The LED next to the battery slot indicates the charge status.*

Solid Yellow = Charging in progress
Flashing Yellow = Fault detected
Solid Green = Charging is complete



Charge the Battery in the Beltpack

You can also charge the battery while the battery is still installed in the beltpack. It takes approximately eight (8) hours to fully charge a completely discharged battery while the battery is installed.

NOTE: The channel 4 talk button lights red while charging and then lights green when the belt pack is fully charged.

To **charge the battery in the beltpack**, do the following:

1. **Power off** the beltpack.
2. On the bottom of the beltpack, attach the **power cable to the charge connector**.
3. Plug the wall charger of the **power cable into a standard AC wall outlet**.

NOTE: Operation of the beltpack while charging the battery is not supported.

Initial Beltpack Setup and Connection to the Access Point

IMPORTANT: *An access point must be configured using IPedit before a beltpack can subscribe with the system.*

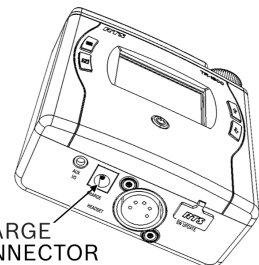
1. Charge the battery (Initial Charging).
2. Install the battery into the beltpack.
3. Move to a line-of-sight location within 40 feet (12 meters) of an access point on the system.
4. Power on the beltpack.
5. Press the SELECT button when the subscription setup window appears.

NOTE: The subscription setup screen only appears for new beltpacks or when a beltpack has been reset to factory defaults.

6. Enter the three digit system ID (The default System ID is B2B)
7. Enter the PIN (Personal Identification Number).

The PIN default is all zeros. The beltpack is subscribed to its HOME access point and the system when the home screen reappears after the subscription process.

NOTE: When running more than one system in an area, the person setting up the access points assigns different system IDs for each system. This prevents unauthorized beltpacks from one system subscribing to another system.



For the most current user documentation, firmware, and software, visit www.rtsintercoms.com

Bosch Communications, Inc. • F.01U.332.312 • Rev 02 • JANUARY 2017