

# DTP HDMI 4K 330

## LONG DISTANCE HDMI TWISTED PAIR EXTENDER

**DTP**  
SYSTEMS

**4K UHD**



DTP HDMI 4K 330 Tx

DTP HDMI 4K 330 Rx

The Extron DTP HDMI 4K 330 extender sends HDMI, analog audio, and bidirectional control signals up to 330 feet (100 meters) over a shielded CATx cable. The HDCP-compliant extender set features a compact enclosure that enables discreet installation in a wide variety of applications.

- ▶ Transmits HDMI plus control and analog audio up to 330 feet (100 meters) over a shielded CATx cable
- ▶ Supports computer and video resolutions up to 4K, including 1080p/60 Deep Color
- ▶ Extron XTP DTP 24 shielded twisted pair cable is strongly recommended for optimal performance
- ▶ Bidirectional RS-232 and IR pass-through for AV device control
- ▶ Accepts additional analog stereo audio signals
- ▶ Supported HDMI specification features include data rates up to 10.2 Gbps, Deep Color up to 12-bit, 3D, HD lossless audio formats, and CEC pass-through
- ▶ HDCP-compliant
- ▶ Supports EDID and HDCP transmission
- ▶ Remote power capability
- ▶ UL 2043 plenum rated receiver
- ▶ Compatible with all DTP™ 330 Series models and DTP 330-enabled products
- ▶ 1" (2.5 cm) high, quarter rack width metal enclosures
- ▶ Highly reliable, energy-efficient external universal power supply included with Tx models



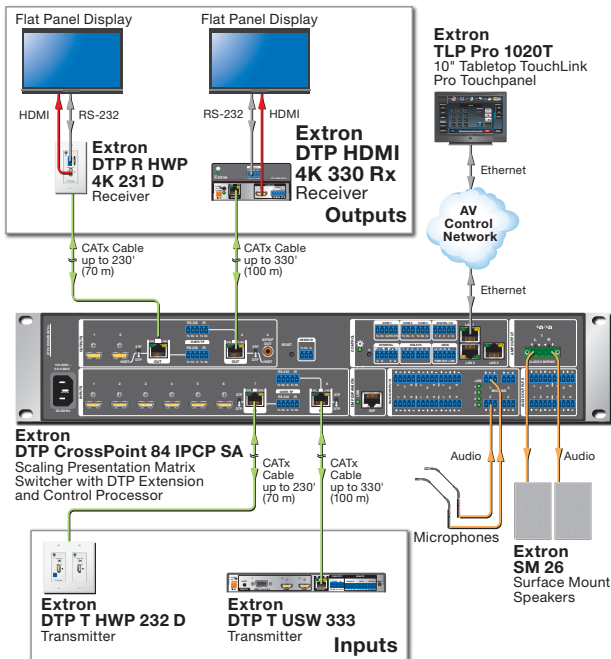
**Extron Electronics**  
INTERFACING, SWITCHING AND CONTROL

## DESCRIPTION

The Extron **DTP HDMI 4K 330** is a long distance transmitter and receiver set for sending HDMI, audio, and bidirectional RS-232 and IR signals up to 330 feet (100 meters) over a shielded CATx cable to Extron DTP™ 330-enabled products. It provides an effective means for extending HDMI with embedded multi-channel audio from HDMI-equipped devices. The DTP HDMI 4K 330 accepts analog stereo audio signals for simultaneous transmission over the same shielded twisted pair cable. It supports video signals at resolutions up to 4K, including 1080p/60 Deep Color. The DTP HDMI 4K 330 enables the reliable, long distance transmission of HDMI signals, supporting Deep Color up to 12-bit, CEC pass-through, and embedded HD lossless audio formats. DDC communication of EDID and HDCP is continuously maintained between a source and display, ensuring direct compatibility and optimal signal transmission between devices.

For installation flexibility, the DTP HDMI 4K 330 transmitter or receiver can be remotely powered over the shielded twisted pair cable by a DTP 330-enabled product. The twisted pair extender also supports simultaneous transmission of bidirectional RS-232 and IR signals from a control system for AV device control. The DTP HDMI 4K 330 can be integrated with an Extron DTP CrossPoint® 84 Presentation Matrix Switcher, or other DTP 330-enabled products to support sources, plus displays and other output devices at remote locations.

## APPLICATION DIAGRAM



## SPECIFICATIONS

### TRUE 4K SPECIFICATION

Max 4K Capabilities		
Resolution and Refresh Rate	Chroma Sampling	Max Bit Depth per Color
4096 x 2160 at 30 Hz 3840 x 2160 at 30 Hz	4:4:4	8 bit
4096 x 2160 at 60 Hz 3840 x 2160 at 60 Hz	4:2:0	
Frame rate <sup>1</sup>	24, 25, 30, 50, or 60 fps	
Chroma sampling <sup>1</sup>	4:4:4, 4:2:2, or 4:2:0	
Color bit depth <sup>1</sup>	8 bits per color	
Signal type	HDMI 1.4, HDCP 2.3	
Max. video data rate	10.2 Gbps (3.4 Gbps per color)	
<b>NOTE:</b> <sup>1</sup> Subject to the maximum data rate limit. Use our calculator ( <a href="http://www.extron.com/product/videotools.aspx">http://www.extron.com/product/videotools.aspx</a> ) to determine video parameters supported by this data rate.		

### VIDEO INPUT – TRANSMITTER

Connectors 1 female HDMI type A

### INTERCONNECTION BETWEEN TRANSMITTER AND RECEIVER

**Signal transmission distance**  
 1080p @ 60 Hz Up to 330' (100 m) using shielded twisted pair (STP) cable or XTP DTP 24 STP cable  
 2560x1600 @ 60 Hz Up to 330' (100 m) using shielded twisted pair (STP) cable or XTP DTP 24 STP cable  
 4K/UHD @ 30Hz and 60 Hz Up to 330' (100 m) using shielded twisted pair (STP) cable or XTP DTP 24 STP cable

**Cable requirements** Solid conductor, 24 AWG or better

**Cable recommendations** 400 MHz bandwidth, STP (shielded twisted pair)

**NOTE:** Extron XTP DTP 24 shielded twisted pair cable is strongly recommended for optimal performance.

### VIDEO OUTPUT – RECEIVER

Connectors 1 female HDMI type A

### AUDIO INPUT

Number/signal type 1 PC level stereo, unbalanced

**NOTE:** Analog audio is not embedded onto the digital video signal. Embedded digital audio is not de-embedded from the digital video signal.

### AUDIO OUTPUT

Number/signal type 1 stereo (2 channel), balanced/unbalanced

### GENERAL

**Power supply**  
 External  
 Input: 100-240 VAC, 50-60 Hz  
 Output: 12 VDC, 1 A, 12 watts

Model	Version Description	Part number
DTP HDMI 4K 330 Tx	HDMI Tx - 330 feet (100 m)	60-1331-12
DTP HDMI 4K 330 Rx	HDMI Rx - 330 feet (100 m)	60-1331-13

### Decorator Style Models

Model	Version Description	Part number
DTP HDMI 4K 330 D Tx	Decorator-Style Tx, Black - 330 feet (100 m)	60-1464-12
DTP HDMI 4K 330 D Tx	Decorator-Style Tx, White - 330 feet (100 m)	60-1464-13
DTP HDMI 4K 330 D Rx	Decorator-Style Rx, Black - 330 feet (100 m)	60-1464-22
DTP HDMI 4K 330 D Rx	Decorator-Style Rx, White - 330 feet (100 m)	60-1464-23

For complete specifications, please go to [www.extron.com](http://www.extron.com)  
 Specifications are subject to change without notice.

### WORLDWIDE SALES OFFICES

Anaheim • Raleigh • Silicon Valley • Dallas • New York • Washington, DC • Toronto • Mexico City • Paris  
 London • Frankfurt • Madrid • Stockholm • Amersfoort • Moscow • Dubai • Johannesburg • Tel Aviv • Sydney  
 Melbourne • Bangalore • Mumbai • New Delhi • Singapore • Seoul • Shanghai • Beijing • Hong Kong • Tokyo

[www.extron.com](http://www.extron.com)