

# DTP T UWP 4K 232 D

DTP TRANSMITTER FOR HDMI AND VGA  
WITH AUDIO EMBEDDING



**DTP**  
SYSTEMS  
**4K UHD**

The Extron DTP T UWP 4K 232 D is a decorator-style transmitter that provides signal extension for up to two sources, sending HDMI, VGA, control, and analog audio up to 230 feet (70 meters) over a shielded CATx cable to Extron DTP®-enabled products. The HDCP-compliant transmitter includes several integrator-friendly features in a convenient form factor that offers maximum placement flexibility.

- ▶ Transmits HDMI, VGA, control, and analog audio up to 230 feet (70 meters) over a shielded CATx cable
- ▶ One HDMI input and one VGA input
- ▶ Supports computer and video resolutions up to 4K
- ▶ Auto-switching between inputs
- ▶ Remote control via contact closure or RS-232
- ▶ Analog stereo audio embedding
- ▶ Extron XTP DTP 24 shielded twisted pair cable is strongly recommended for optimal performance
- ▶ Independent analog audio inputs
- ▶ Bidirectional RS-232 pass-through for AV device control
- ▶ Remote power capability
- ▶ Supported HDMI specification features include data rates up to 10.2 Gbps, 3D, and HD lossless audio formats
- ▶ EDID Minder®
- ▶ Compatible with all DTP® 230 Series receivers and DTP-enabled products
- ▶ Mounts in an included two-gang decorator-style wallplate
- ▶ Highly reliable, energy-efficient external universal power supply included

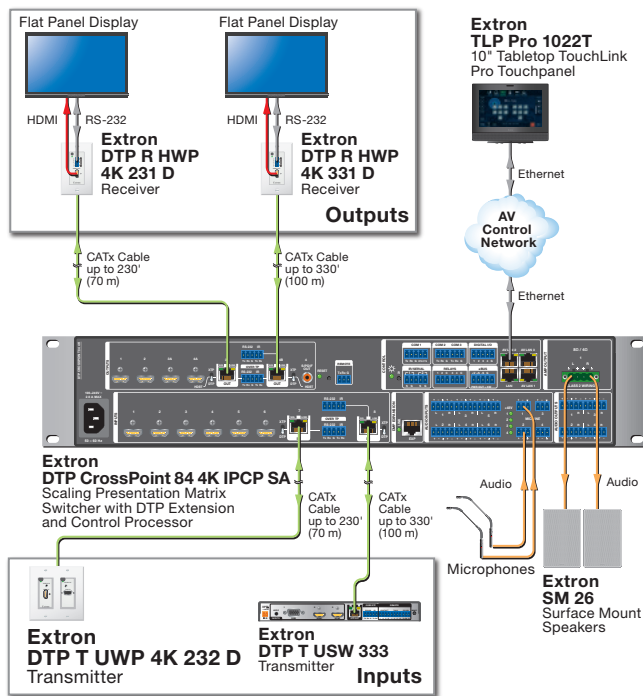
**Extron**

## DESCRIPTION

The Extron **DTP T UWP 4K 232 D** is a two input, decorator-style transmitter for sending HDMI, VGA, control, and analog audio up to 230 feet (70 meters) over a shielded CATx cable to Extron DTP-enabled products. The HDCP-compliant transmitter provides one HDMI input and one VGA input, both with independent analog stereo audio connections. The DTP T UWP 4K 232 D supports video signals at resolutions up to 4K. Integrator-friendly features include analog stereo audio embedding, EDID Minder, auto-switching between inputs, RS-232 and contact closure remote control for simplified input selection, remote power capability, and bidirectional RS-232 pass-through for remote AV device control. The wall-mountable design of the DTP T UWP 4K 232 D provides the convenience of placing input connections precisely where they are needed.

For added installation flexibility, the transmitter can be remotely powered over the shielded twisted pair cable by a DTP-enabled product. The DTP T UWP 4K 232 D can be integrated with an Extron DTP CrossPoint® Presentation Matrix Switcher, or other DTP-enabled products to support sources at remote locations.

## APPLICATION DIAGRAM



## SPECIFICATIONS

### TRUE 4K SPECIFICATION

Max 4K Capabilities		
Resolution and Refresh Rate	Chroma Sampling	Max Bit Depth per Color
4096 x 2160 at 30 Hz	4:4:4	8 bit
3840 x 2160 at 30 Hz		

Frame rate <sup>1</sup>	24, 25, or 30 fps
Chroma sampling <sup>1</sup>	4:4:4, 4:2:2
Color bit depth <sup>1</sup>	8 bits per color
Signal type	DVI 1.0, HDMI 1.4, HDCP 1.4
Max. video data rate	10.2 Gbps (3.4 Gbps per color)
<b>NOTE:</b> <sup>1</sup> Subject to the maximum data rate limit. Use our calculator <a href="http://www.extron.com/4kdata">www.extron.com/4kdata</a> to determine video parameters supported by this data rate.	

### VIDEO INPUT – HDMI

Connectors	1 female HDMI type A
------------	----------------------

### VIDEO INPUT – VGA

Connectors	1 female 15-pin HD (RGB)
------------	--------------------------

### INTERCONNECTION BETWEEN TRANSMITTER AND RECEIVER

<b>Signal transmission distance</b>	
1080p @ 60 Hz	Up to 230' (70 m) using shielded twisted pair (STP) cable or XTP DTP 24 cable
2048x1080 (2K) @ 60 Hz	Up to 130' (40 m) using STP cable or XTP DTP 24 cable
4K/UHD @ 30 Hz	Up to 130' (40 m) using STP cable or XTP DTP 24 cable
<b>Cable recommendations</b>	
400 MHz bandwidth STP cable	
<b>Cable requirements</b>	
Solid conductor, 24 AWG or better	
<b>NOTE:</b> Extron XTP DTP 24 shielded twisted pair cable is strongly recommended for optimal performance.	

### AUDIO INPUT

Number/signal type	2 stereo, unbalanced
Analog audio (over DTP)	

### COMMUNICATIONS – TRANSMITTER

Serial control port	RS-232 via (1) 3.5 mm, 5-pole captive screw connector for RS-232 control ( $\pm 5$ V) and contact closure input switching
Contact closure remote control	(1) 3.5 mm, 5-pole captive screw connector (connector is shared with RS-232 control port)

### COMMUNICATIONS – EXTERNAL DEVICE (PASS-THROUGH)

Serial control pass-through port	Bidirectional RS-232
----------------------------------	----------------------

### GENERAL

Power supply	External Input: 100-240 VAC, 50-60 Hz Output: 12 VDC, 1.5 A, 18 watts
Enclosure dimensions	Device Two 2.70" H x 3.50" W x 1.90" D (69 mm H x 89 mm W x 48 mm D)
Regulatory compliance	Safety: c-UL, UL EMI/EMC: AS/NZS, CE**, FCC Class A**, ICES, VCCI Environmental: Complies with the appropriate requirements of RoHS, WEEE

Model	Version Description	Part number
DTP T UWP 4K 232 D	HDMI, VGA Decorator Tx, Black – 230 feet (70 m)	60-1755-12
DTP T UWP 4K 232 D	HDMI, VGA Decorator Tx, White – 230 feet (70 m)	60-1755-13

For complete specifications, please go to [www.extron.com](http://www.extron.com)  
Specifications are subject to change without notice.

### WORLDWIDE SALES OFFICES

Anaheim • Raleigh • Silicon Valley • Dallas • New York • Washington, DC • Toronto • Mexico City • Paris • London  
Frankfurt • Madrid • Stockholm • Amersfoort • Moscow • Dubai • Johannesburg • Tel Aviv • Sydney • Melbourne  
Bangalore • Mumbai • New Delhi • Singapore • Seoul • Shanghai • Beijing • Hong Kong • Tokyo

[www.extron.com](http://www.extron.com)