

DTP T UWP 4K 332 D

LONG DISTANCE DTP TRANSMITTER FOR HDMI AND
VGA WITH AUDIO EMBEDDING



DTP
SYSTEMS

4K UHD

The Extron DTP T UWP 4K 332 D is a decorator-style transmitter that provides signal extension for up to two sources, sending HDMI, VGA, control, and analog audio up to 330 feet (100 meters) over a shielded CATx cable to Extron DTP® 330-enabled products. The HDCP-compliant transmitter includes several integrator-friendly features in a convenient form factor that offers maximum placement flexibility.

- ▶ Transmits HDMI, VGA, control, and analog audio up to 330 feet (100 meters) over a shielded CATx cable
- ▶ One HDMI input and one VGA input
- ▶ Supports computer and video resolutions up to 4K
- ▶ Auto-switching between inputs
- ▶ Remote control via contact closure or RS-232
- ▶ Analog stereo audio embedding
- ▶ Extron XTP DTP 24 shielded twisted pair cable is strongly recommended for optimal performance
- ▶ Independent analog audio inputs
- ▶ Bidirectional RS-232 pass-through for AV device control
- ▶ Remote power capability
- ▶ Supported HDMI specification features include data rates up to 10.2 Gbps, 3D, and HD lossless audio formats
- ▶ EDID Minder®
- ▶ Compatible with all DTP® 330 Series receivers and DTP 330-enabled products
- ▶ Mounts in an included two-gang decorator-style wallplate
- ▶ Highly reliable, energy-efficient external universal power supply included

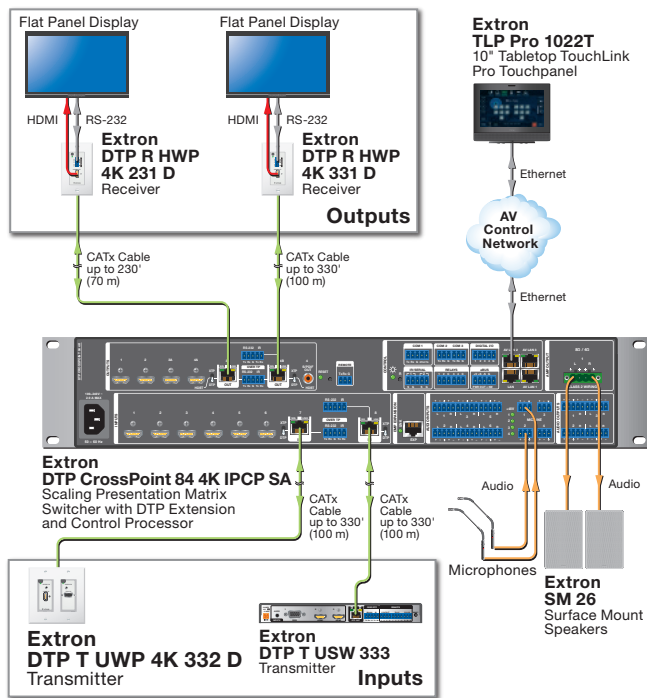
Extron

DESCRIPTION

The Extron **DTP T UWP 4K 332 D** is a two input, decorator-style transmitter for sending HDMI, VGA, control, and analog audio up to 330 feet (100 meters) over a shielded CATx cable to Extron DTP 330-enabled products. The HDCP-compliant transmitter provides one HDMI input and one VGA input, both with independent analog stereo audio connections. The DTP T UWP 4K 332 D supports video signals at resolutions up to 4K. Integrator-friendly features include analog stereo audio embedding, EDID Minder, auto-switching between inputs, RS-232 and contact closure remote control for simplified input selection, remote power capability, and bidirectional RS-232 pass-through for remote AV device control. The wall-mountable design of the DTP T UWP 4K 332 D provides the convenience of placing input connections precisely where they are needed.

For added installation flexibility, the transmitter can be remotely powered over the shielded twisted pair cable by a DTP-enabled product. The DTP T UWP 4K 332 D can be integrated with an Extron DTP CrossPoint® Presentation Matrix Switcher, or other DTP-enabled products to support sources at remote locations.

APPLICATION DIAGRAM



SPECIFICATIONS

TRUE 4K SPECIFICATION

Max 4K Capabilities		
Resolution and Refresh Rate	Chroma Sampling	Max Bit Depth per Color
4096 x 2160 at 30 Hz	4:4:4	8 bit
3840 x 2160 at 30 Hz		
Frame rate ¹	24, 25, or 30 fps	
Chroma sampling ¹	4:4:4, 4:2:2	
Color bit depth ¹	8 bits per color	
Signal type	DVI 1.0, HDMI 1.4, HDCP 1.4	
Max. video data rate	10.2 Gbps (3.4 Gbps per color)	
NOTE: ¹ Subject to the maximum data rate limit. Use our calculator www.extron.com/4Kdata to determine video parameters supported by this data rate.		

VIDEO INPUT – HDMI

Connectors 1 female HDMI type A

VIDEO INPUT – VGA

Connectors 1 female 15-pin HD (RGB)

INTERCONNECTION BETWEEN TRANSMITTER AND RECEIVER

Signal transmission distance

1080p @ 60 Hz Up to 330' (100 m) using shielded twisted pair (STP) cable or XTP DTP 24 cable
 2048x1080 (2K) @ 60 Hz Up to 330' (100 m) using STP cable or XTP DTP 24 cable
 4K/UHD @ 30 Hz Up to 330' (100 m) using STP cable or XTP DTP 24 cable
 Cable requirements Solid conductor, 24 AWG or better
 Cable recommendations 400 MHz bandwidth STP cable

NOTE: Extron XTP DTP 24 shielded twisted pair cable is strongly recommended for optimal performance.

AUDIO INPUT

Number/signal type Analog audio (over DTP) 2 stereo, unbalanced

COMMUNICATIONS – TRANSMITTER

Serial control port RS-232 via (1) 3.5 mm, 5-pole captive screw connector for RS-232 control (±5 V) and contact closure input switching
 Contact closure remote control (1) 3.5 mm, 5-pole captive screw connector (connector is shared with RS-232 control port)

COMMUNICATIONS – EXTERNAL DEVICE (PASS-THROUGH)

Serial control pass-through port Bidirectional RS-232

GENERAL

Power supply External
 Input: 100-240 VAC, 50-60 Hz
 Output: 12 VDC, 1.5 A, 18 watts
 Enclosure dimensions Device Two 2.70" H x 3.50" W x 1.90" D (69 mm H x 89 mm W x 48 mm D)
 Regulatory compliance Safety c-UL, UL
 EMI/EMC AS/NZS, CE**, FCC Class A**, ICES, VCCI
 Environmental Complies with the appropriate requirements of RoHS, WEEE

Model	Version Description	Part number
DTP T UWP 4K 332 D	HDMI, VGA Decorator Tx, Black – 330 feet (100 m)	60-1755-52
DTP T UWP 4K 332 D	HDMI, VGA Decorator Tx, White – 330 feet (100 m)	60-1755-53

For complete specifications, please go to www.extron.com
 Specifications are subject to change without notice.

WORLDWIDE SALES OFFICES

Anaheim • Raleigh • Silicon Valley • Dallas • New York • Washington, DC • Toronto • Mexico City • Paris • London
 Frankfurt • Madrid • Stockholm • Amersfoort • Moscow • Dubai • Johannesburg • Tel Aviv • Sydney • Melbourne
 Bangalore • Mumbai • New Delhi • Singapore • Seoul • Shanghai • Beijing • Hong Kong • Tokyo

www.extron.com