

# DTP2 T 203

THREE INPUT 4K/60 SWITCHER  
WITH INTEGRATED DTP2 TRANSMITTER



**DTP**  
SYSTEMS

**18 Gbps**  
4K/60 4:4:4

The Extron DTP2 T 203 is a three-input transmitter for sending DisplayPort, HDMI, audio, and control up to 330 feet (100 meters) over a shielded CATx cable to Extron DTP®-enabled products. It provides a DisplayPort input, two HDMI inputs, and a DTP2 output. The DTP2 T 203 supports video signals at resolutions up to 4K/60 at 4:4:4 chroma sampling, and complies with HDCP 2.3. The switcher can be remotely powered over the shielded twisted pair cable by a DTP2-enabled product. Alternatively, the transmitter can be configured to provide power to the connected DTP2 receiver, allowing both devices to share one power supply.

- ▶ Transmits DisplayPort, HDMI, control, and analog audio up to 330 feet (100 meters) over a shielded CATx cable
- ▶ Supports computer and video resolutions up to 4K/60 @ 4:4:4
- ▶ Auto-switching between inputs
- ▶ Analog stereo audio embedding
- ▶ Supports DisplayPort SST - Single Stream Transport data rates up to 21.6 Gbps
- ▶ Supported HDMI 2.0b specification features include data rates up to 18 Gbps, HDR, Deep Color up to 12-bit, 3D, and HD lossless audio formats
- ▶ Support for HDR – High Dynamic Range video
- ▶ Contact closure and tally outputs facilitate easy integration with Extron Show Me® cables

**Extron**

## DESCRIPTION

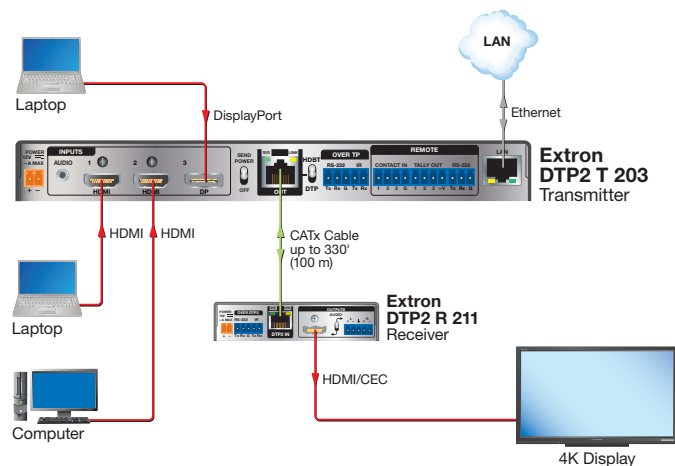
The **DTP2 T 203** is a three-input transmitter for sending DisplayPort, HDMI, audio, and control up to 330 feet (100 meters over a shielded CATx cable) to an Extron DTP-enabled product. It provides one DisplayPort input, two HDMI inputs, and one DTP2 output. The transmitter supports video resolutions up to 4K/60 at 4:4:4 chroma sampling and complies with HDCP 2.3. Analog stereo audio embedding and RS-232 remote control facilitate integration in professional environments. Integrator-friendly features include EDID Minder®, HDCP authorization, auto-switching between inputs, and bidirectional RS-232 and IR pass-through for remote AV device control. The low-profile enclosure of the DTP2 T 203 enables discreet placement in lecterns, beneath tables, or wherever needed to meet application requirements.

The DTP2 T 203 provides reliable switching and transmission of DisplayPort and HDMI video at data rates up to 18 Gbps, along with HDR, Deep Color up to 12-bit, 3D, and embedded HD lossless audio formats. To enhance and simplify integration of sources and displays, the transmitter features EDID Minder. This Extron-exclusive technology manages EDID communication between the display device and input sources, ensuring reliable content presentation. For streamlined integration, the DTP2 output can be configured to send video with embedded audio plus bidirectional control to an HDBaseT™-enabled display. Support of 4K/60 at 4:4:4 color sampling requires connection to a matching DTP2 product.

Stereo analog audio can be embedded onto the video output signal for transport over DTP. Also, analog audio can be assigned to any of the three video inputs or it can be set to follow the input switch. RS-232 and contact closure remote control with tally output facilitate easy operation in unmanaged locations.

The DTP2 T 203 can be integrated with an Extron DTP2 CrossPoint 82 presentation matrix switcher or other DTP-enabled products to support sources at remote locations.

## APPLICATION DIAGRAM



## SPECIFICATIONS

### TRUE 4K SPECIFICATION

#### Max 4K Capabilities

Resolution and Refresh Rate	Chroma Sampling	Max Bit Depth per Color
3840 x 2160 at 60 Hz 4096 x 2160 at 60 Hz 3840 x 2160 at 30 Hz 4096 x 2160 at 30 Hz	4:4:4	8 bit
3840 x 2160 at 60 Hz 4096 x 2160 at 60 Hz	4:2:0	12 bit

Frame rate<sup>1</sup> 24, 25, 30, 50, or 60 fps

Chroma sampling<sup>1</sup> 4:4:4, 4:2:2, or 4:2:0

Color bit depth<sup>1</sup> 8, 10, or 12 bits per color

Signal type<sup>1</sup> HDMI 2.0b, HDCP 2.3

Max. video data rate<sup>1</sup> 18 Gbps (6 Gbps per color)

**NOTE:** <sup>1</sup>Subject to the maximum data rate limit. Use our calculator ([www.extron.com/8Kdatarate](http://www.extron.com/8Kdatarate)) to determine video parameters supported by this data rate.

### VIDEO INPUT – HDMI

Connectors 2 female HDMI type A

### VIDEO INPUT – DISPLAYPORT

Connectors 1 female 20-pin DisplayPort

### INTERCONNECTION BETWEEN TRANSMITTER AND RECEIVER

Connectors 1 female RJ-45 jack

Signal transmission distance Up to 330' (100 m) using shielded twisted pair (STP) cable or XTP DTP 24 STP cable

Cable recommendations 400 MHz bandwidth STP cable

**NOTE:** Extron XTP DTP 24 shielded twisted pair cable is strongly recommended for optimal performance.

### ANALOG AUDIO INPUT

Number/signal type 1 stereo, unbalanced  
3 digital embedded audio on HDMI and DP

Connectors (1) 3.5 mm stereo jack, 2 channel; tip (L); ring (R); sleeve (GND)

### CONTROL/REMOTE

External device (pass-through, unidirectional or bidirectional)

Serial control port 1 RS-232, 3.5 mm captive screw connector, 3 pole, rear panel

USB control port 1 female mini USB, type B, front panel

Ethernet data rate 10/100Base-T, half/full duplex, with autodetect

Contact closure (1) 3.5 mm captive screw connector, 4 pole

Tally output (1) 3.5 mm captive screw connector, 4 pole

Over DTP/HDBT RS-232/IR pass through Pin 1 = RS-232 Tx, Pin 2 = RS-232 Rx, Pin 3 = GND, Pin 4 = IR Tx, Pin 5 = IR Rx

### GENERAL

Power supply External  
Input: 100-240 VAC, 50-60 Hz  
Output: 12 VDC, 2.0 A, 24 watts

Product warranty 3 years parts and labor

**NOTE:** All nominal levels are at ±10%.

Model	Version Description	Part number
DTP2 T 203	Three Input 4K/60 Switcher – 330 feet (100 m)	60-1659-52

For complete specifications, please go to [www.extron.com](http://www.extron.com)  
Specifications are subject to change without notice.

### WORLDWIDE SALES OFFICES

Anaheim • Raleigh • Silicon Valley • Dallas • New York • Washington, DC • Toronto • Mexico City • Paris  
London • Frankfurt • Madrid • Stockholm • Amersfoort • Moscow • Dubai • Johannesburg • Tel Aviv • Sydney  
Melbourne • Bangalore • Mumbai • New Delhi • Singapore • Seoul • Shanghai • Beijing • Hong Kong • Tokyo

[www.extron.com](http://www.extron.com)