

500ML console

Lighting Control Console

Building on our range of lighting control consoles, the new 500ML console from Philips Strand Lighting is designed to operate dimmers, LED fixtures and moving lights.

The 8-inch TFT color touchscreen allows for fast set up. Backlit command buttons aide in the ease of use making the 500ML console an ideal control platform solution. If required, the unit has one external DVI port to add a touch monitor to give even more control.

In addition to the 500ML console's 4 universes with a total of 2048 channels, it provides 24 faders. Each may be used as a Master, Sub Master, or Playback. Equipped with backlit Play, Pause/Reverse, and Bump buttons they allowing cue stacks to be triggered as required for those busking "moments".

Using industry standard methods of control, the user interface is quick to understand, allowing the operation to appeal both to the casual and professional operator alike.

With a robust construction, the 500ML console provides you with a smart way to create and play back great lighting for all your important events.



500ML Lighting Control Console

Features

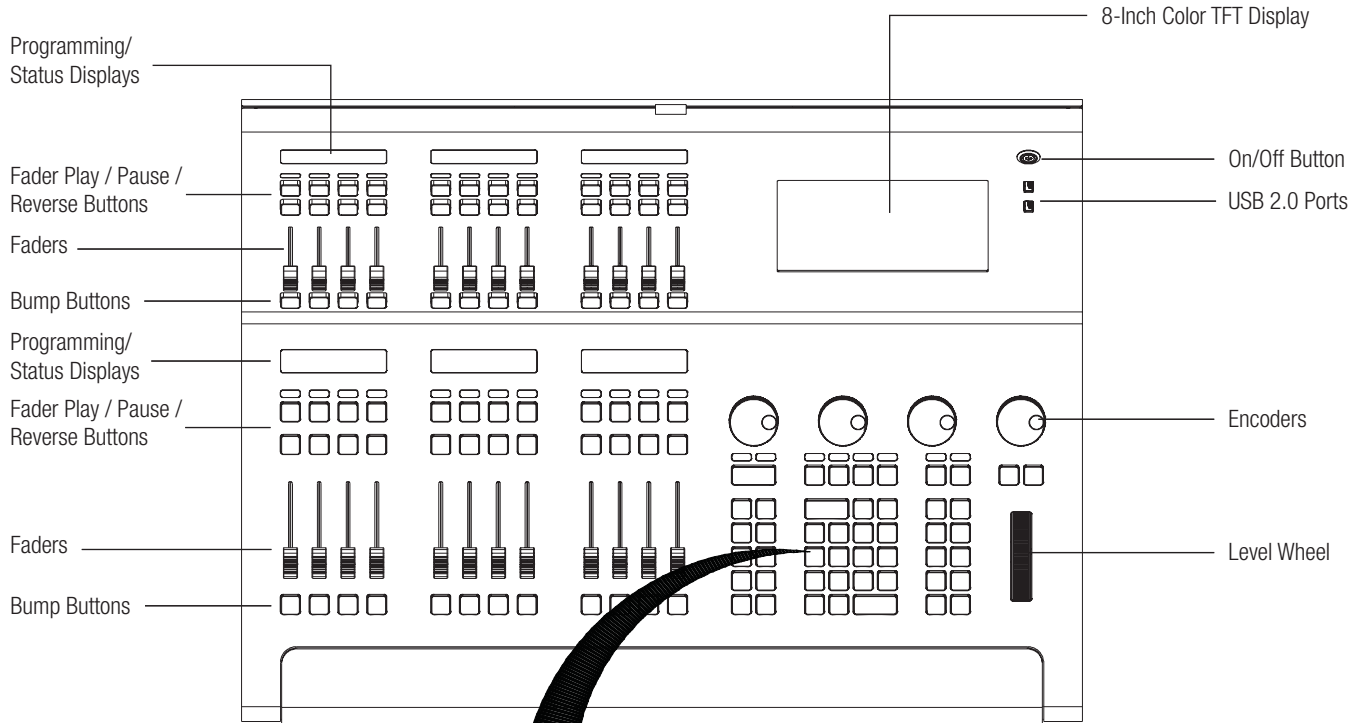
- 4 Universes, 2,048 DMX Channels
- 8-Inch (800 x 600 pixels) TFT Color Touch Screen
- 4 DMX Out Ports
- 119 Backlit Keys / 4 Rotary Encoders / 24 Faders / 1 Level Wheel
- LCD Fader Bank Information Screens
- Supports Up To 500 Cue Lists of 500 Cues
- Faders can be either Submasters, Playbacks, or Effects
- DMX512A
- MIDI In/Out/Thru
- RJ45 Network Port (ArtNET / ShowNet)
- DVI External Monitor Output
- 3 USB Ports (2 front, 1 rear)
- Supports 3-Pin XLR Desk Lamps
- CE marked (Power Supply is ETL/UL)

PHILIPS
Strand Lighting

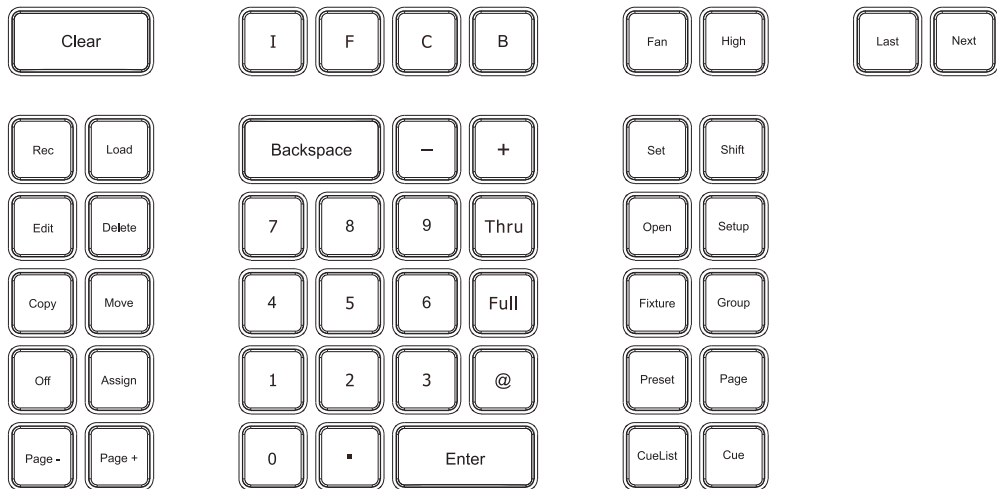
SPECIFICATION SUBMITTAL

CONSULTANT: <input type="text"/>	PROJECT NAME: <input type="text"/>	MODEL NUMBER QUANTITY: <input type="text"/> <input type="text"/> <input type="text"/> <input type="text"/> <input type="text"/> <input type="text"/>
DATE: <input type="text"/>	PROJECT NUMBER: <input type="text"/>	APPROVED BY: <input type="text"/>

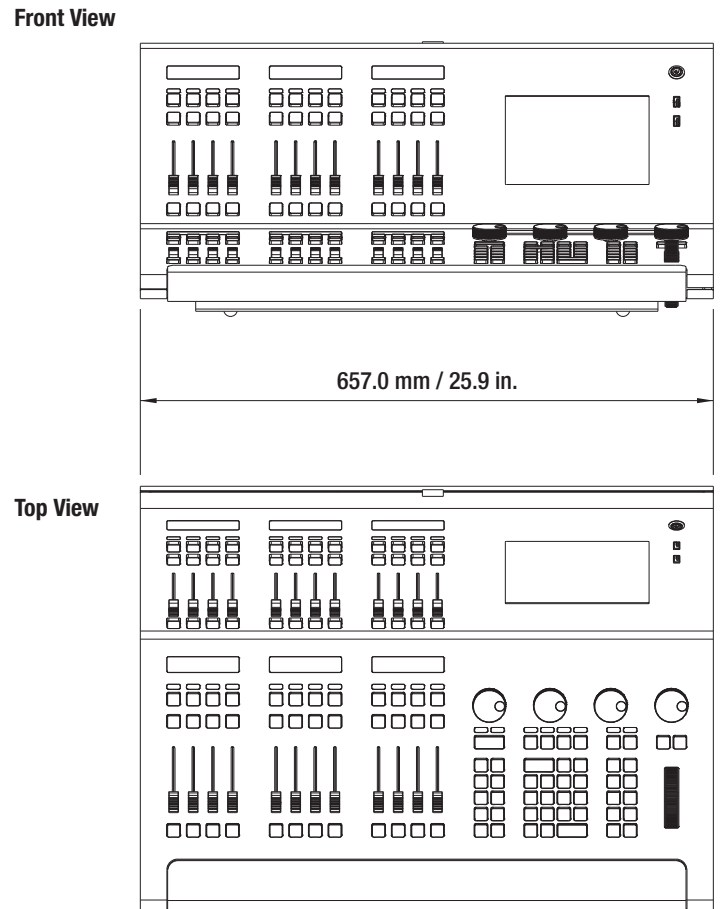
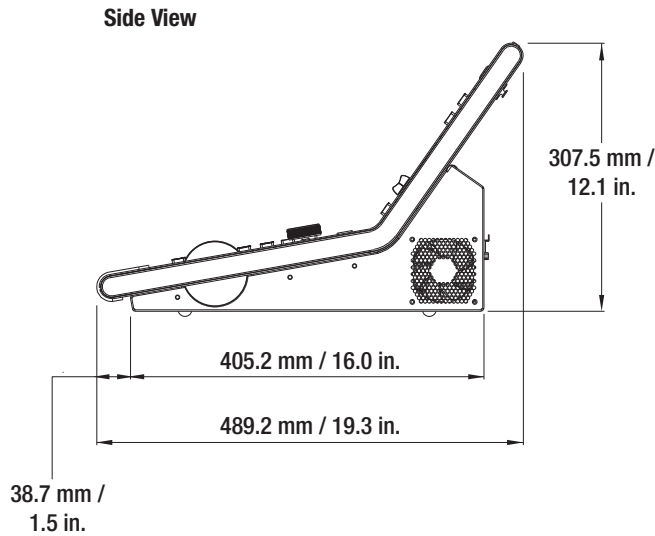
500ML Console Features



Backlit Command / Programming Keys



500ML Console - Dimensions



Technical Specifications

Electrical

Supply Voltage: Universal power supply 100-240VAC
 Approvals: CE marked, ETL listed with cULus listed power supply, C-Tick

Mechanical

Construction: Rigid folded sheet steel and Flame retardant ABS controls
 Operating Temperature: 0° to 40°C ambient (32° to 104°F)
 Humidity: 0% - 95% non-condensing
 Storage Temperature: 0° to 35°C (32° to 95°F)
 Weight: 20.5 kg / 45.1 lbs (console only - no accessories)
 Dimensions (LxWxH): 657.0 x 489.2 x 307.5 mm
 25.9 x 19.3 x 12.1 in

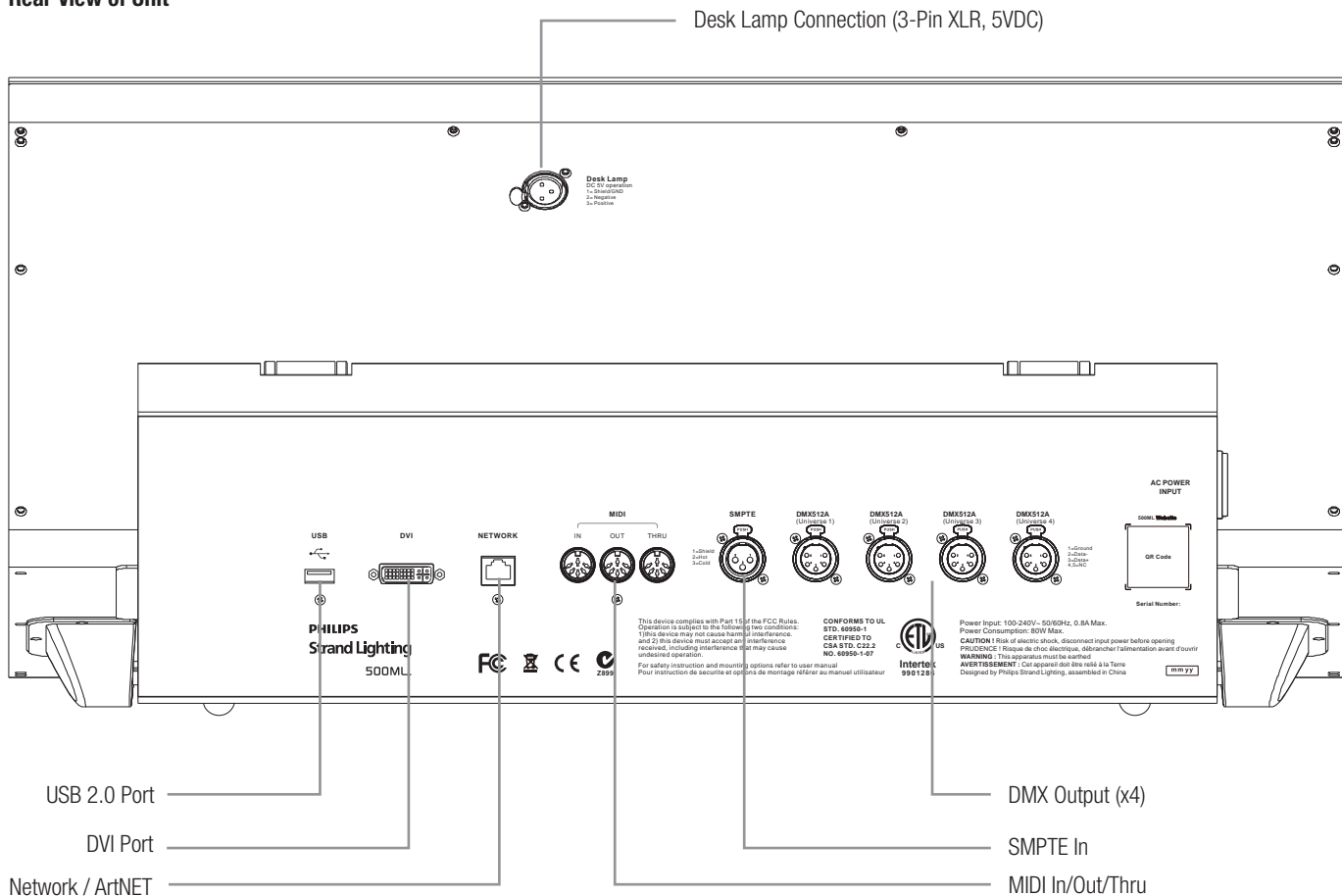
Connectivity

- 1 Ethernet (RJ45) Port (ArtNET / ShowNet)
- 2 USB 2.0 Port (Front, Library Storage - USB key sold separately)
- 1 USB 2.0 Port (Rear, Touch Screen Connection - touch screen not included)
- 1 DVI (HD) Monitor Output (monitor not included)
- 4 DMX512A Out (XLR5F) Ports
- 3 MIDI (1 each - In / Out / Thru) Ports

DMX512A Control & Channels

2,048 DMX Channels, 4 Universes
 500 Fixtures
 500 Groups
 500 Presets
 500 Cuelists (each with up to 500 Cues in total)

Rear View of Unit



Ordering Information
Cat. No. Description

500ML Lighting Control Console		Peripheral Equipment - Cables	
65354	500ML Lighting Control Console	95090	DMX512 Control Cable 25' (A5F to A5M)
Includes:	Console includes console dust cover, 100-240VAC universal voltage power supply, LED desk lamp, and quick start guide. External monitor not included.	96456	Ethernet cable 10' 10/100BaseT (RJ45)
		96459	Ethernet cable 25' 10/100BaseT (RJ45)
		Accessories	
		67528	USB Key Drive
		91021	21-Inch Touch Screen Monitor

Philips Strand Lighting

Dallas
10911 Petal Street
Dallas, TX 75238
Tel: +1 (214) 647-7880
Fax: +1 (214) 647-8031

Auckland
19-21 Kawana Street
Northcote, Auckland 0627
New Zealand
Tel: + 64 9 481 0100
Fax: + 64 9 481 0101

Asia
Unit C, 14/F,
Roxy Industrial Centre
No. 41-9 Kwai Cheong Road
Kwai Chung, N.T., Hong Kong
Tel: +852 2796 9786
Fax: +852 2796 6545

Europe
European Service & Distribution Centre
Rondweg zuid 85
Winterswijk 7102 JD
the Netherlands
Tel: +31 (0) 543-542516

www.strandlighting.com
© Philips Group 2014 - 2015
All rights reserved.
The Company reserves the right to make any variation in design, construction or descriptions contained herein, of the equipment, at any time without prior notice. E&OE

